

# Product changes

## WIX Filters now offers keyless replacement filters elements for Stanadyne® Fuel Manager® FM100 fuel systems.

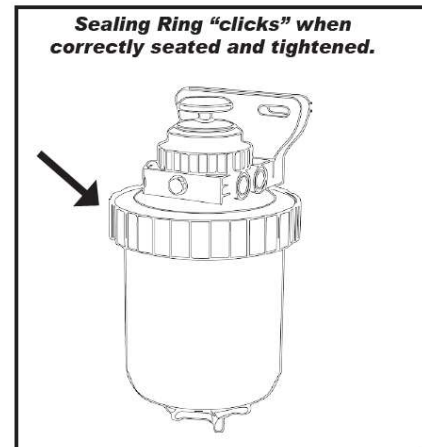
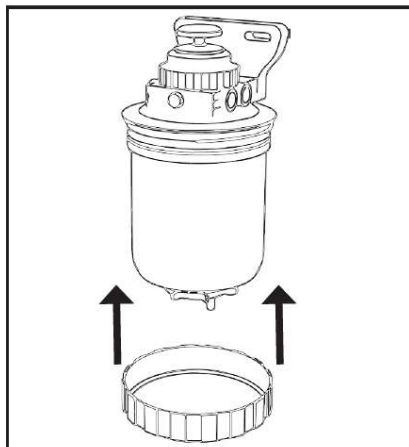
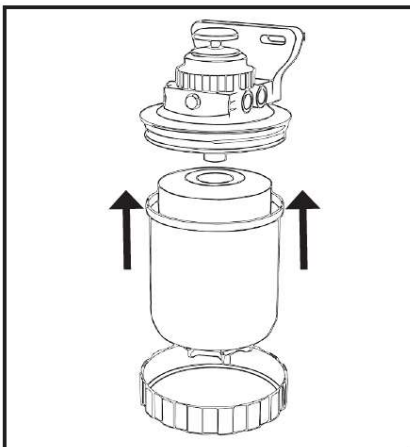
The new double seam design offers a **more robust sealing** to prevent leaks.

This new seal, along with the keyless feature, makes the installation experience easier and service life trouble free.

All cataloging remains the same and great filter performance continues to ensure that your fuel systems are protected.

**Catalogues Number Include:** 33531, 33532, 33546, 33547, 33548, 33633, 33638, 33648, 33668, 33739, 33759, 33808, 33978.

Keyless Replacement Filter



*As a reminder, it has always been, and remains our recommendation that the selection of a replacement filter be conducted using only the most current application information available. In today's cataloging, the electronic (i.e. internet, interactive electronic) would be the most current application information available. For questions or more information, please contact your local WIX Filters District Manager or call Product Information at +48 65 572 89 82.*

